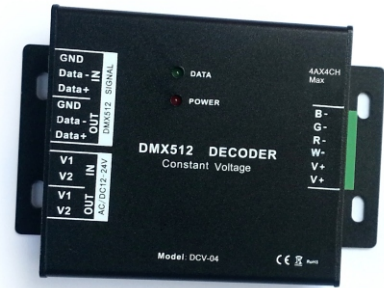


Four channel LED DMX drive

▶ FEATURES

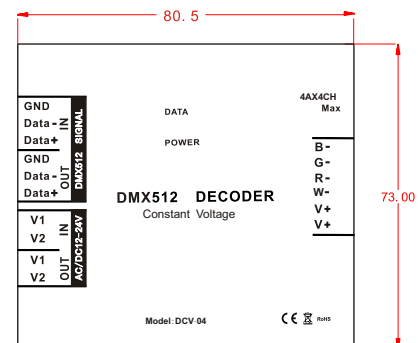
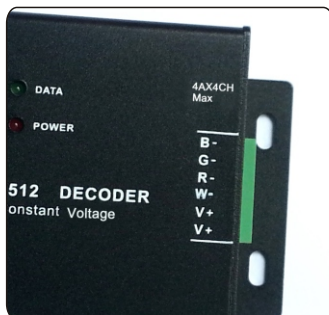
- RGBW Color Four channel intensity can be adjusted independently
- Output capability 4.0A per channel at 25°C.
- Total output current 16A max
- Over current protection 4.0A per channel
- DMX address setting by external DMX address editor (DAE-02)
- DMX control mode manual mode and auto mode are available
- synchronize up to 30 units series with built-in program



▶ SPECIFICATION

OUTPUT POWER	192W/384W(12/24V) MAX
INPUT INTERFACE	1 x 2pin Green Terminals (DC 12-24V) 1 x 3pin Green Terminals (DMX IN)
OUTPUT INTERFACE	1 x 2pin Green Terminals (DC 12-24V) 1 x 3pin Green Terminals (DMX OUT) 1 x 6pin Green Terminals (V+ V+ W- R- G- B-)
SIGNAL	DMX512(1990)
HOUSING	Sheet metal black powder finishing
INGRESS PROTECTION RATING	IP20
STORATION TEMPERATURE	-30°C-60°C
DIMENSION	L81XW73XH29mm
WEIGHT	180g

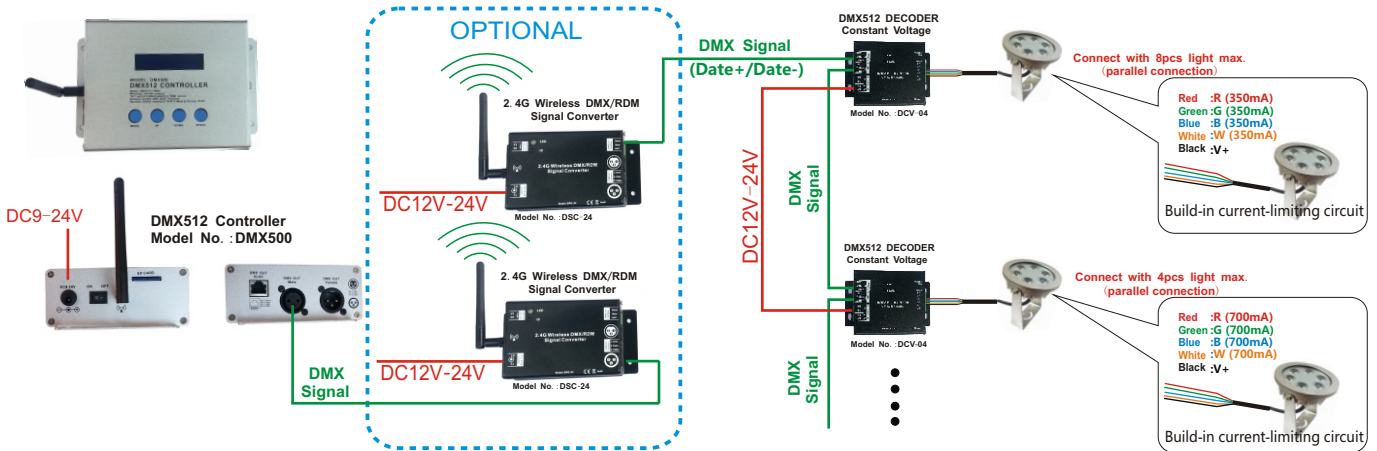
▶ PHYSICAL DIMENSIONS:



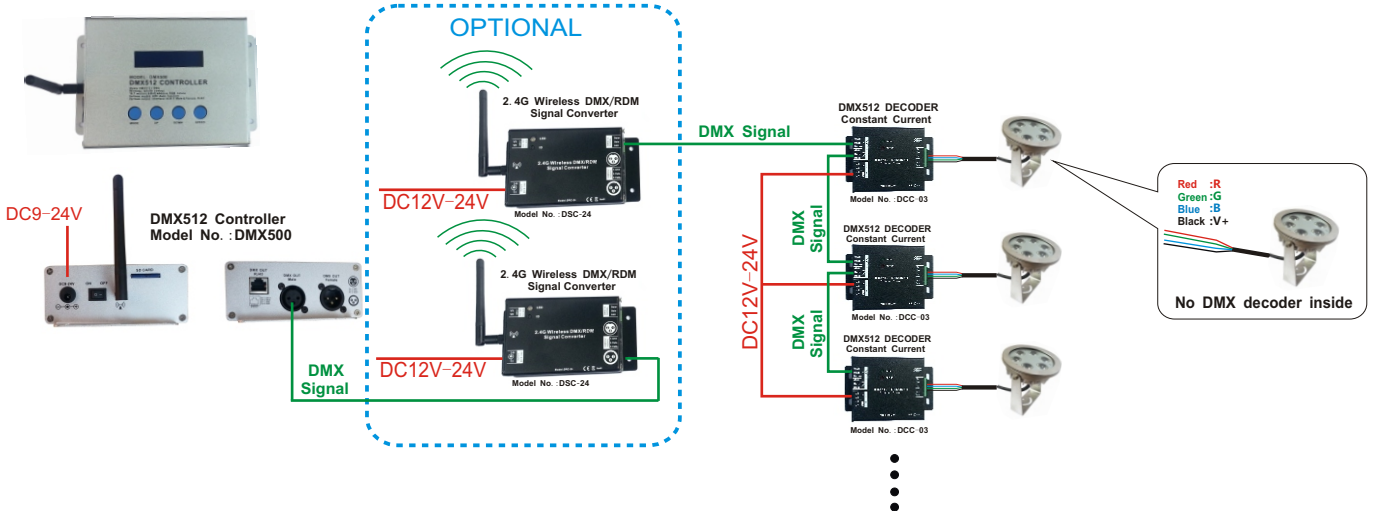
DMX512 Decoder

Item Code: 88614
Model No.: RS-DCV-04

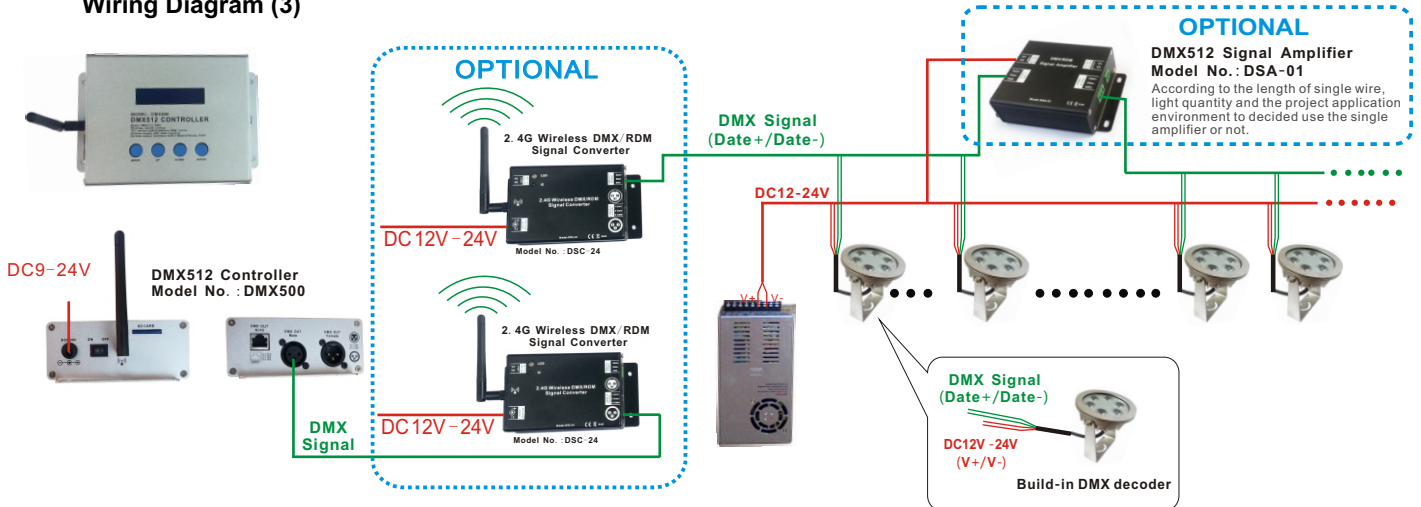
Wiring Diagram (1)



Wiring Diagram (2)



Wiring Diagram (3)



Wiring Diagram (4)

